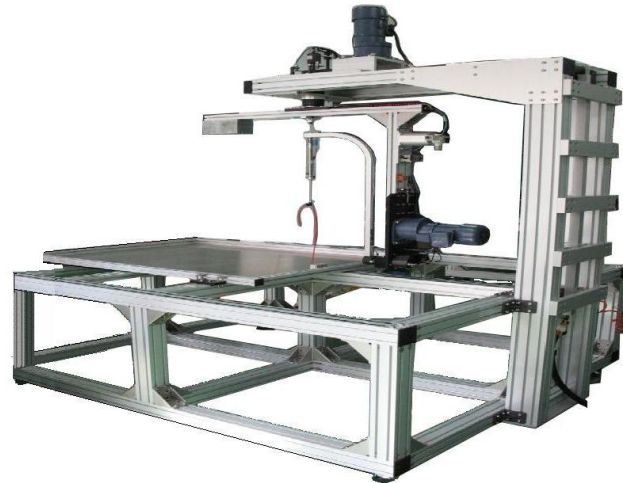


## P.ENERGY RTT01



P.ENERGY RTT01 allows to do the Robustness of Termination Test .

The test checks that the terminations and the connection of the terminations to the body of the module can withstand the stresses which are likely to be applied during normal assembly or handling operations.

This test is made in compliance to these normatives:

<b>IEC 61215</b>	<b>REF PAR. 10.4</b>	<b>“ROBUSTNESS OF TERMUNATIONS TEST”</b>
<b>IEC 60068-2-21</b>	<b>REF PAR. 3</b>	<b>“TEST Ua1”</b>
	<b>REF PAR 4</b>	<b>“TEST Ua2”</b>
	<b>REF PAR 5</b>	<b>“TEST Ub”</b>
	<b>REF PAR 6</b>	<b>“TEST Uc”</b>
	<b>REF PAR 7</b>	<b>“TEST Ud”</b>

PHOTOVOLTAIC MODULES EQUIPMENT



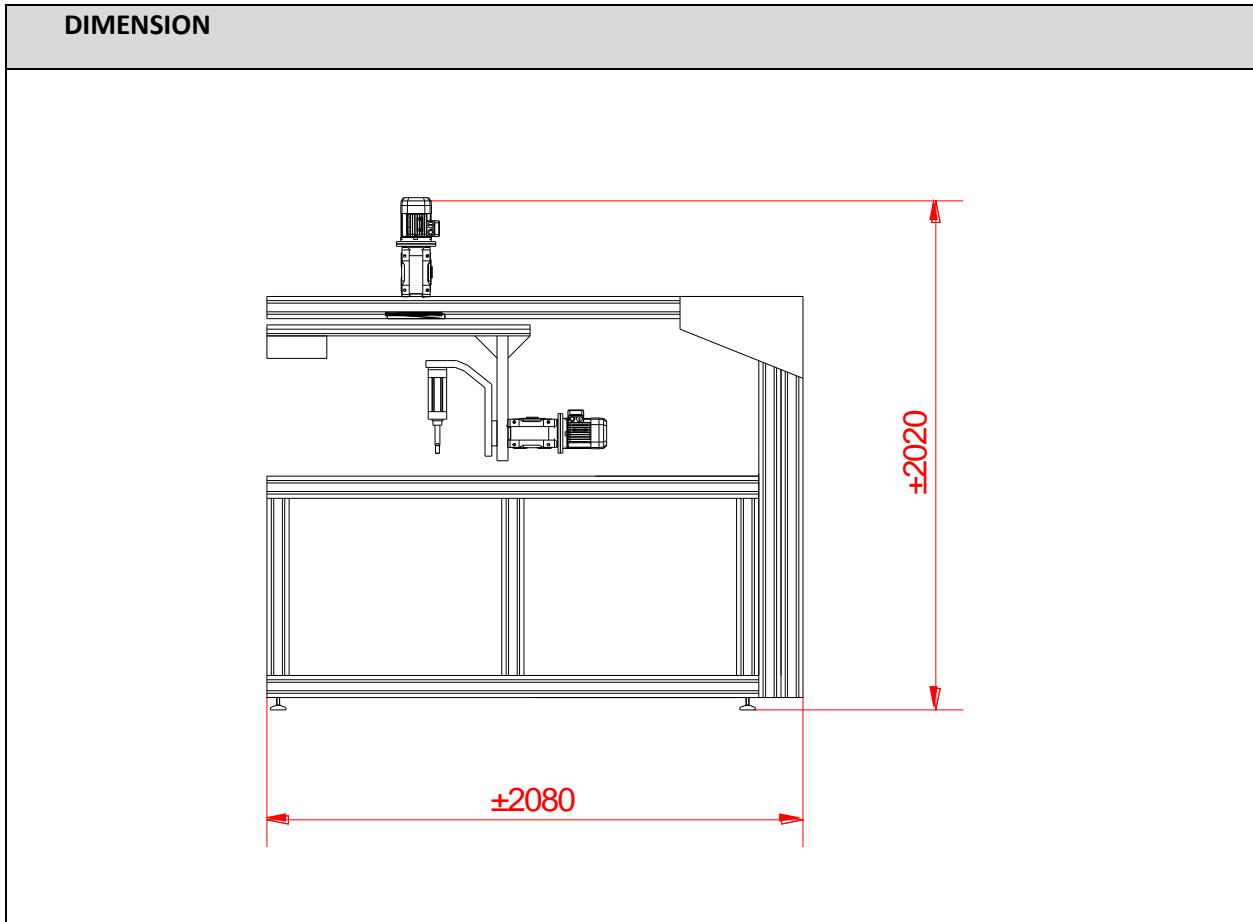


With this test machine it is possible to work on three types of module terminations:

- type A: wires or flying leads
- type B: tags, threaded studs, screws, etc...
- type C: connectors

<b>MODULE DIMENSIONS</b>	
Max dimension of the panel	2000x1000mm
Min dimension of the panel	1000x500mm
Max Weight of the panel	35Kg

<b>APPARATUS</b>	
<b>MAX FORCE</b>	<b>45Kg</b>
<b>TOLLERANCE FORCE</b>	<b>±10%</b>
<b>FORCE REGULATOR SYSTEM</b>	<b>YES ( the force is applied progressively without any shock)</b>
<b>TOLLERANCE TIME</b>	<b>±1sec.</b>



Height	2020mm
Width	2080mm
Length	1500mm
Weight	1800kg

## TECHNICAL DATA

### ENVIRONMENTAL CONDITION

The Equipment can work under the following environmental conditions:

HUMIDITY RATE	MAX 75%
WORKING TEMPERATURES	MIN +15°C / MAX +35°C
ALTITUDE	MAX 1000 m
SUGGESTED LIGHTENING LEVEL	500LUX
FLOOR TREATMENT	IT IS SUGGESTED TO USE AN ANTI-DUST TREATMENT ON THE FLOOR IT IS SUGGESTED TO USE A MINIMUM THICKNESS OF THE FLOOR OF 25/30cm NOTES ABOUT THE WEIGHT OF THE EQUIPMENT : WEIGHT:1800KG NUMBER OF FEET: 4 DIAMETER OF THE FEET: 80 mm
DUST	IT IS HIGHLY RECOMMENDED TO PUT THE EQUIPMNET IN WORKING AREA CLEAN AND DUST FREE (ISO

The equipment must work only in closed and protect areas.  
The equipment is designed to operate in industrial working places.

### ELECTRICAL DATA

MAX VARIATION RANGE OF VOLTAGE	±10%	
POWER	5	KW
VOLTAGE	400	V 3ph + gnd

### COMPRESSED AIR REQUIREMENT

RESIDUAL OIL (mg/m <sup>3</sup> )	1
RESIDUAL DUST	FILTERING 40µm, 10mg/m <sup>3</sup>
RESIDUAL WATER	DEW POINT 20°C, 0.88mg/m <sup>3</sup>
IN LINE PRESSURE (Bar)	8
WORK PRESSURE (Bar)	6
CONNECTION	Push in fitting Ø10mm
AIR CONSUMPTION (l/min)*	10
FREQUENCY	50 Hz



**P.Energy S.p.A.**  
Via Caduti sul Lavoro, 15 35014 Fontaniva (PD)  
Tel: +39 049 7966190 Fax: +39 049 7968776  
VAT nr. 04066080286 C.S. € 1.500.000,00  
info@penergy.it

## Inclusions

---

Certification: CE

Warranty: 2 Years