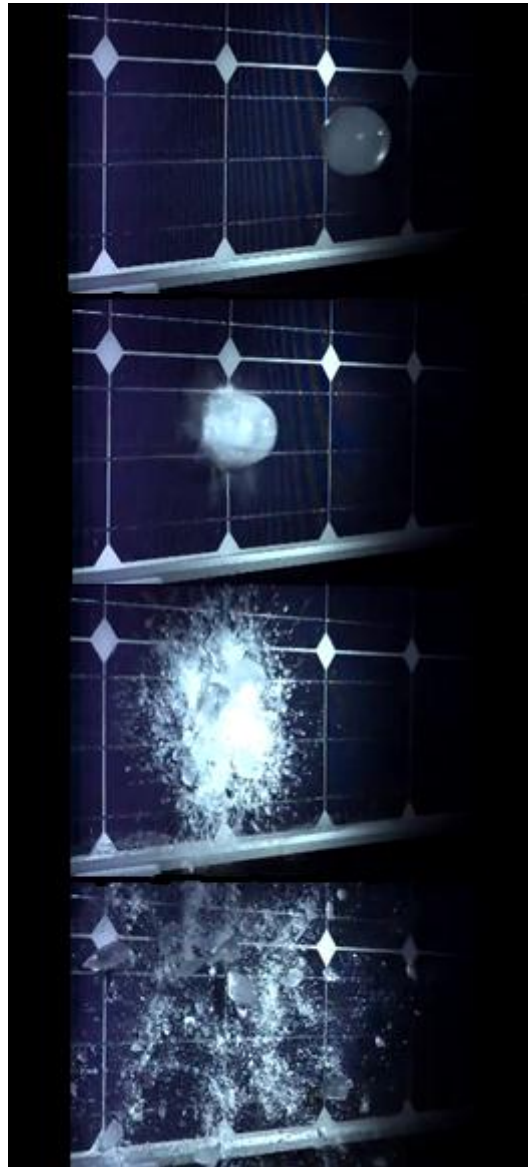




P.ENERGY SH001A



USE OF THE MACHINE



P.Energy SHO01A is made to verify that the module is capable of withstanding the impact of hailstone.

This device has been designed to launch ice balls in a range of diameters and at speeds appropriate for simulated hailstone impact testing.

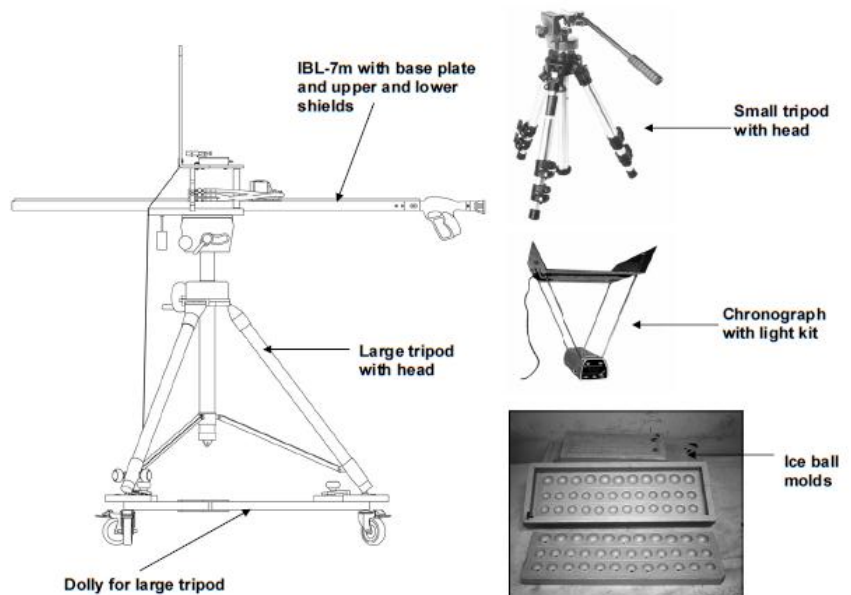
The launcher is capable of propelling an ice ball at the specific velocity, within $\pm 5\%$, so as to hit the module within the specified impact location.

P.ENERGY SHO01A can be used to do the HAIL TEST as the IEC 61215 ref par. 10.17

In standard configuration the P.ENERGY SHO01A can be adjusted to launch ice balls of 12.5 mm, 15mm, 25mm, 35mm, 40mm and 50mm diameters.

Package includes:

- launcher with tripod
- chronograph with tripod
- ice ball molds
- manual





ICE BALLS MOLDS DATA

Package includes these balls molds:

| | |
|------|----|
| 12.5 | mm |
| 15 | mm |
| 25 | mm |
| 35 | mm |
| 40 | mm |
| 45 | mm |
| 50 | mm |
| 55 | mm |

CRONOGRAPH DATA

Chronograph with tripod

ACCURACY $\pm 2\%$

CRONOGRAPH CANNOT MEASURE SPEED LESS THAN 6.2m/s (14 MILES PER HOUR)

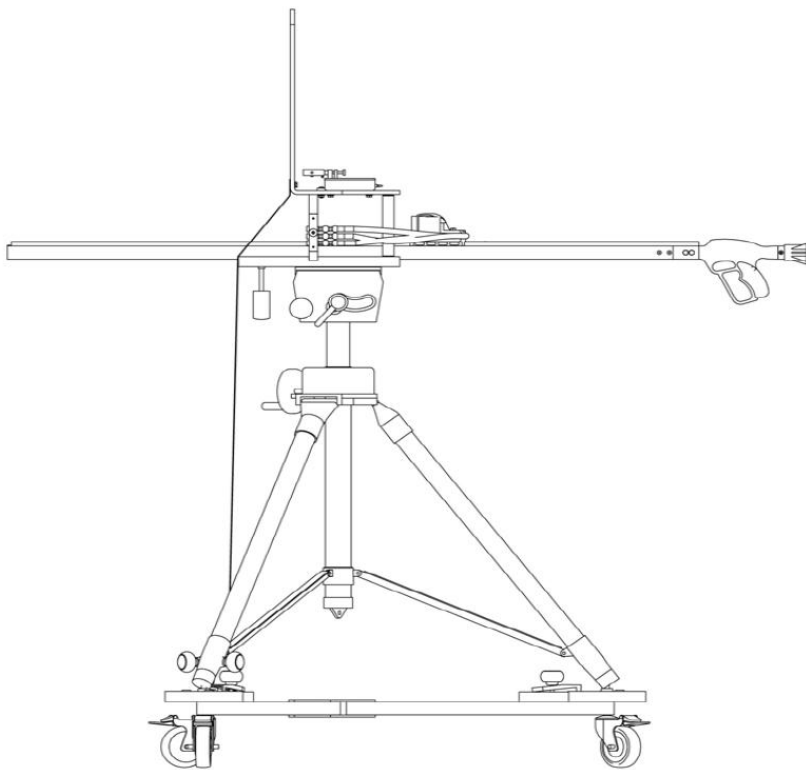
TECHNICAL DATA

ENVIROMENTAL CONDITION

The Equipment can work under the following environmental conditions:

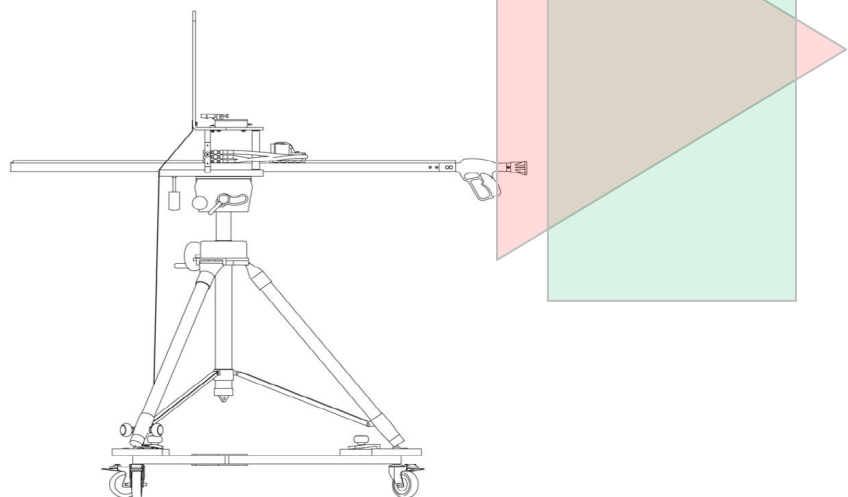
| | |
|----------------------------|-----------------------|
| HUMIDITY RATE | MAX 75% |
| WORKING TEMPERATURES | MIN +15°C / MAX +35°C |
| ALTITUDE | MAX 1000 m |
| SUGGESTED LIGHTENING LEVEL | 500LUX |

The equipment must work only in closed areas protected against the elements.
The equipment is designed to be used in industrial working place.



DIMENSIONS

| | |
|---------------|--------|
| WIDTH | 2000mm |
| LENGTH | 2000mm |
| HIGHT | 2000mm |
| WEIGHT | 100kg |



| | |
|--|------------------|
| | • DANGEROUS AREA |
| | • WORK AREA |



P.Energy S.p.A.

Via Caduti sul Lavoro, 15 – IT-35014
Fontaniva (Padova)
Tel: +39 049 7966190 – Fax: +39 049 7968776
info@penergy.it www.penergy.it

OPTIONAL

RIGID SUPPORT FOR TEST MODULE
BALANCE FOR DETERMINING THE MASS OF AN ICE BALL TO AN ACCURACY OF $\pm 2\%$
BARRIERS FOR LIMITING THE DANGEROUS TEST AREA
FREEZER CONTROLLED AT $-10^{\circ}\text{C} \pm 5^{\circ}\text{C}$
STORAGE CONTAINER FOR STORING THE ICE BALLS AT A TEMPERATURE $-4^{\circ}\text{C} \pm 5^{\circ}\text{C}$
TRAINING TO PERFORMING THE TEST IN ACCORDANCE WITH THE IEC 61215

Inclusions

Warranty: 2 year